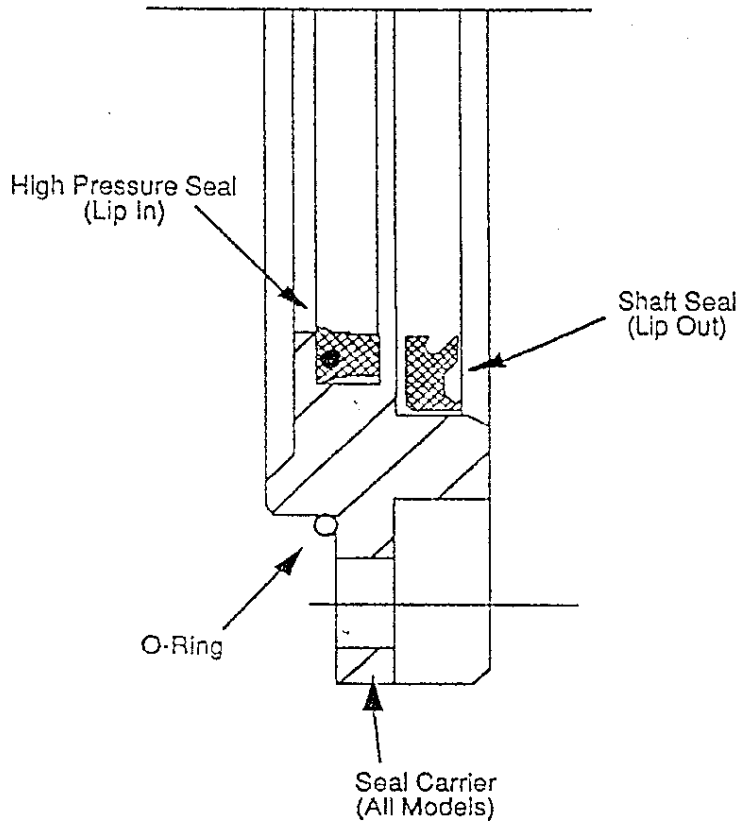


High Pressure Seal Carrier

Installation Diagram & Parts List



	MODEL 16	MODEL 20 - 20D	MODEL 50 - 50D - 52D - 52T
High Pressure Seal ⁽¹⁾	15303 *	20122 *	50105 *
Shaft Seal	15106 *	20150 *	50111 *
O-Ring	15133 *	20116 *	50108 *
High Pressure Seal Carrier	15059	20065	50011

* Included in high pressure seal kit.

⁽¹⁾ Not available in Viton.



2350 Del Monte P.O. Box 835
West Sacramento CA 95691

916 372 5411
FAX 916 372 0492
Telex 377309